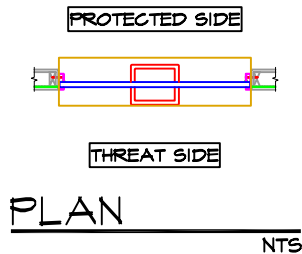


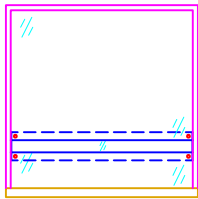
ISOMETRIC

NTS



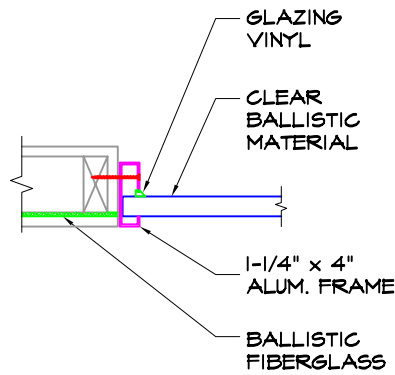
PLAN

NTS



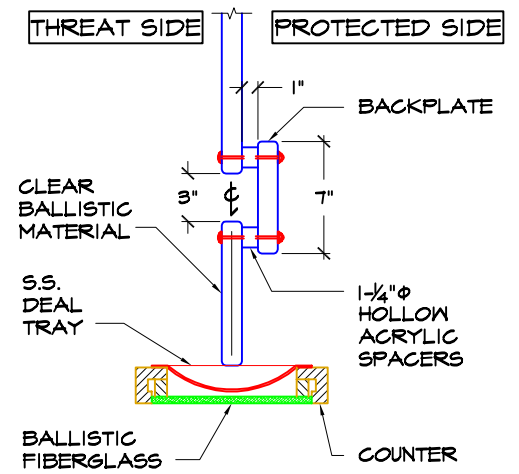
ELEVATION

REQUIRED FINISH OPENING = NTS
 WIDTH + 1/4"
 HEIGHT + 1/8"



DETAIL @ JAMB

NOTE: HEAD SIMILAR NTS



SECTION @ DEAL TRAY

NTS

ESTIMATE ONLY	<input type="checkbox"/>	FINAL DESIGN	<input type="checkbox"/>
APPROVAL:			
SIGNATURE _____			
NAME _____			
DATE _____			



Protective Structures, LTD
 7565 Industrial Court Alpharetta Georgia 30040
 770-521-8666, Fax: 770-521-2299 Toll Free: 1-888-521-8666 Web Site
www.protectivestructures.com

CODE:
JOB #
DATE:
PAGE: _____ of _____